

generative box.

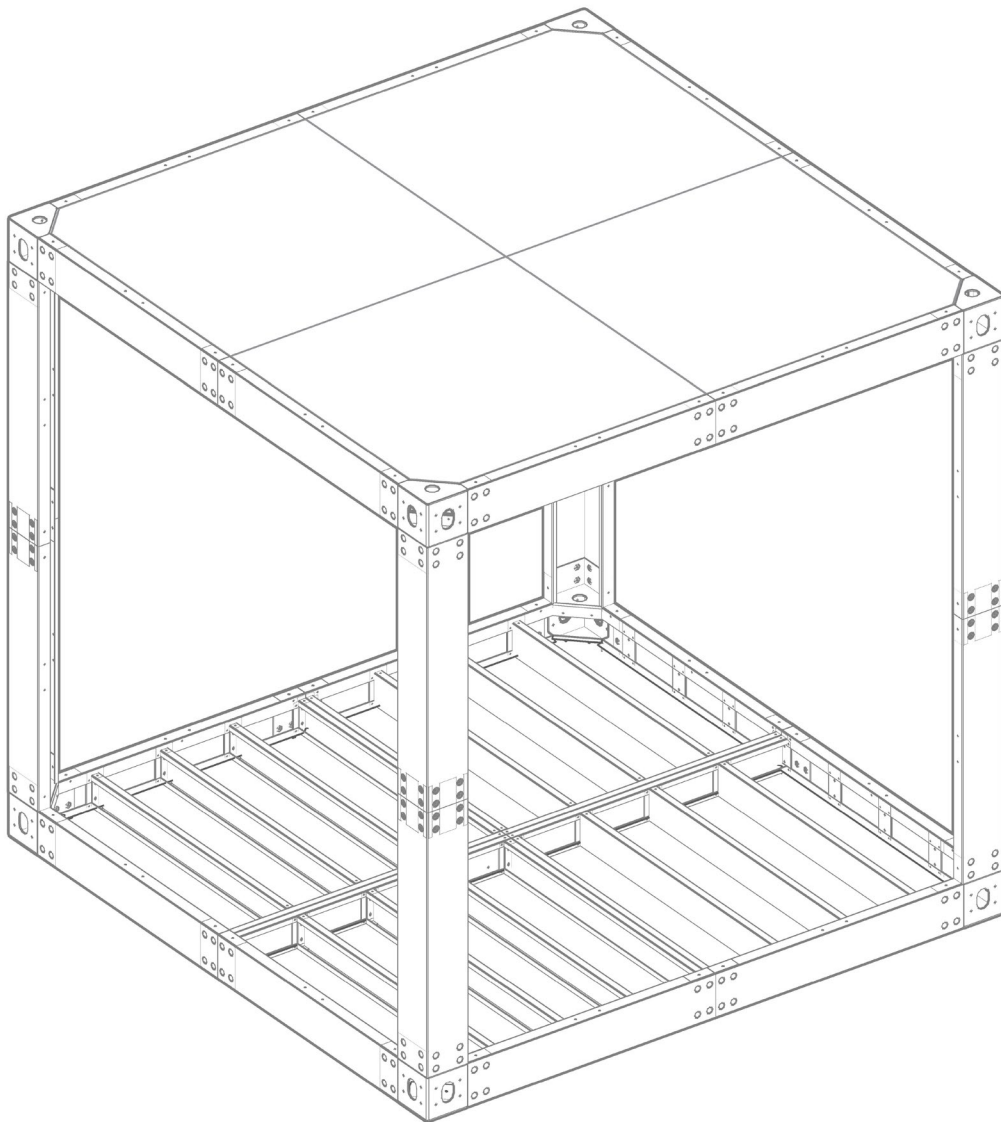


TABLE OF CONTENTS

Safety and Warranties.....	3
List of Components.....	4
1. Floor Assembly	
1.1 Mapa Alignment.....	5
1.2 Mapa to Beam Connection & Beam Flange to Beam Connection.....	6
1.3 Beam Plate to Beam Connection.....	7
1.4 Bottom Panel Connection.....	8
1.5 Cross Beam Flange to Cross Beam Connection.....	9
1.6 Cross Beam Plate to Cross Beam Connection.....	10
1.7 Cross Beam to Frame Assembly.....	11
1.8 Cross Beam to Frame Assembly.....	12
1.8.2 Short Cross Beam to Frame Assembly.....	13
2. Column to Floor Frame Connection	
2.1 Column Connection.....	14
2.2 Column Flange Connection.....	15
2.3 Column to Column Flange Connection.....	16-17
3. Roof Assembly	
3.1.A Manual Roof Frame Installation.....	18
3.1.B Roof Frame Installation with Crane.....	19
3.2 Upper Panel Connection.....	20

SAFETY AND WARRANTIES

Read the notice:

Serious or fatal crushing injuries can occur from steel made fabrication parts tip-over while assembly process ongoing, even it may cause death. To prevent this steel made fabrication parts from tipping over, please read the instructions carefully and notice precautions about the actions on pages.

Assembly Manual of XBOX is prepared for the use of an operative or skilled laborer. All parts are tested and inspected before packaging, if an unintended event occurs due to failure of assembly or improper practice, as manufacturer we do not offer or accept any guaranties or warranties for DIY (Do It Yourself) products. Please follow the instructions and try not to assemble product alone, ask for assistance from an operator, skilled laborer or a local handyman.

Needed Field Equipment For Safety:



Helmet



Safety Goggles



Protective Boot



Protective Glove

On Page Instructions:



Two Persons / Four Persons
(at least two)



Operator (Crane)



Toolbox (Nano tools)
screwdriver, hex key etc.



Danger: which identifies 'a potentially hazardous situation which, if not avoided, will result death or injury.


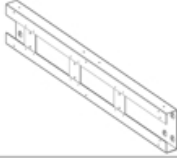



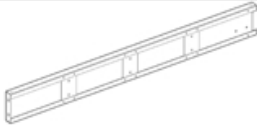




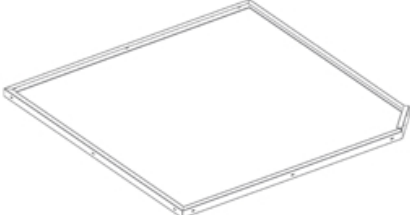






Warning: which identifies 'a potentially hazardous situation which, if not avoided, could result death or injury.

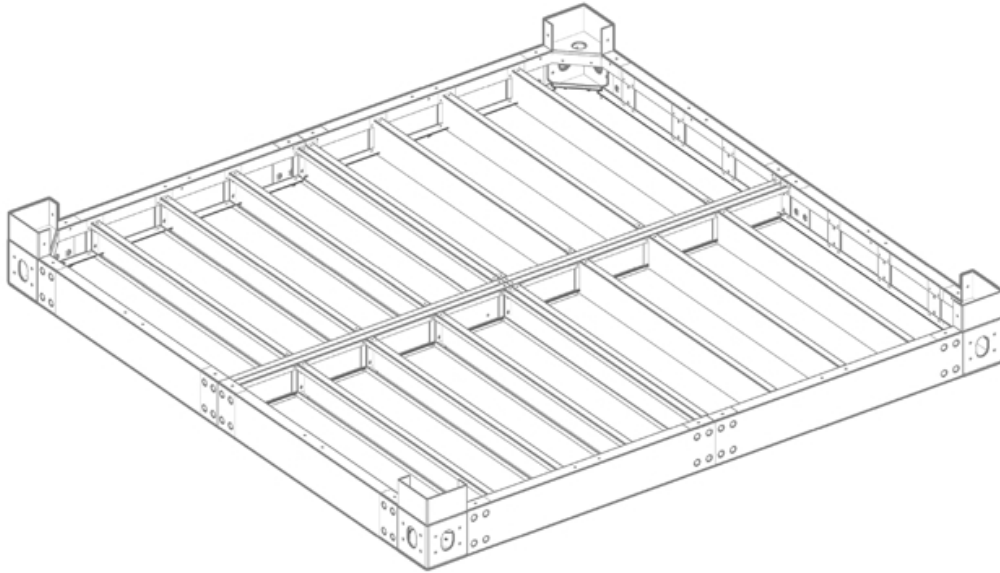


Caution: which identifies a potentially hazardous situation which, if not avoided, may result in minor or moderate injury or in property damage incidents.

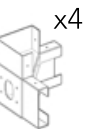
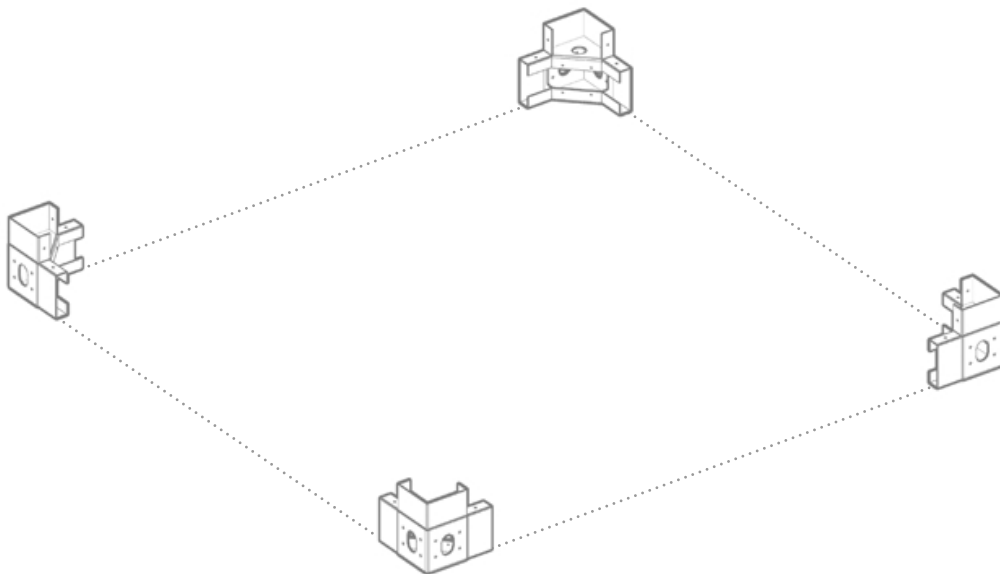
LIST OF COMPONENTS

	Mapa	8 piece
	Beam	16 piece
	Beam Flange	8 piece
	Beam Plate	8 piece
	Cross Beam Flange	4 piece
	Cross Beam	8 piece
	Cross Beam Plate	4 piece
	Short Cross Beam	32 piece
	Column	8 piece
	Column Flange	4 piece
	Bottom-Upper Panel	8 piece
	M8x20 CH (HB) Imbus Bolt M8 Rove (Pul) M8 Bolt Nut (Somun)	272 piece 272 piece 272 piece
	M6x16 Spanner Head Bolt M6 Rove (Pul) M6 Bolt Nut (Somun)	344 piece 448 piece 104 piece
	C Bracket	24 piece
	L Bracket	8 piece

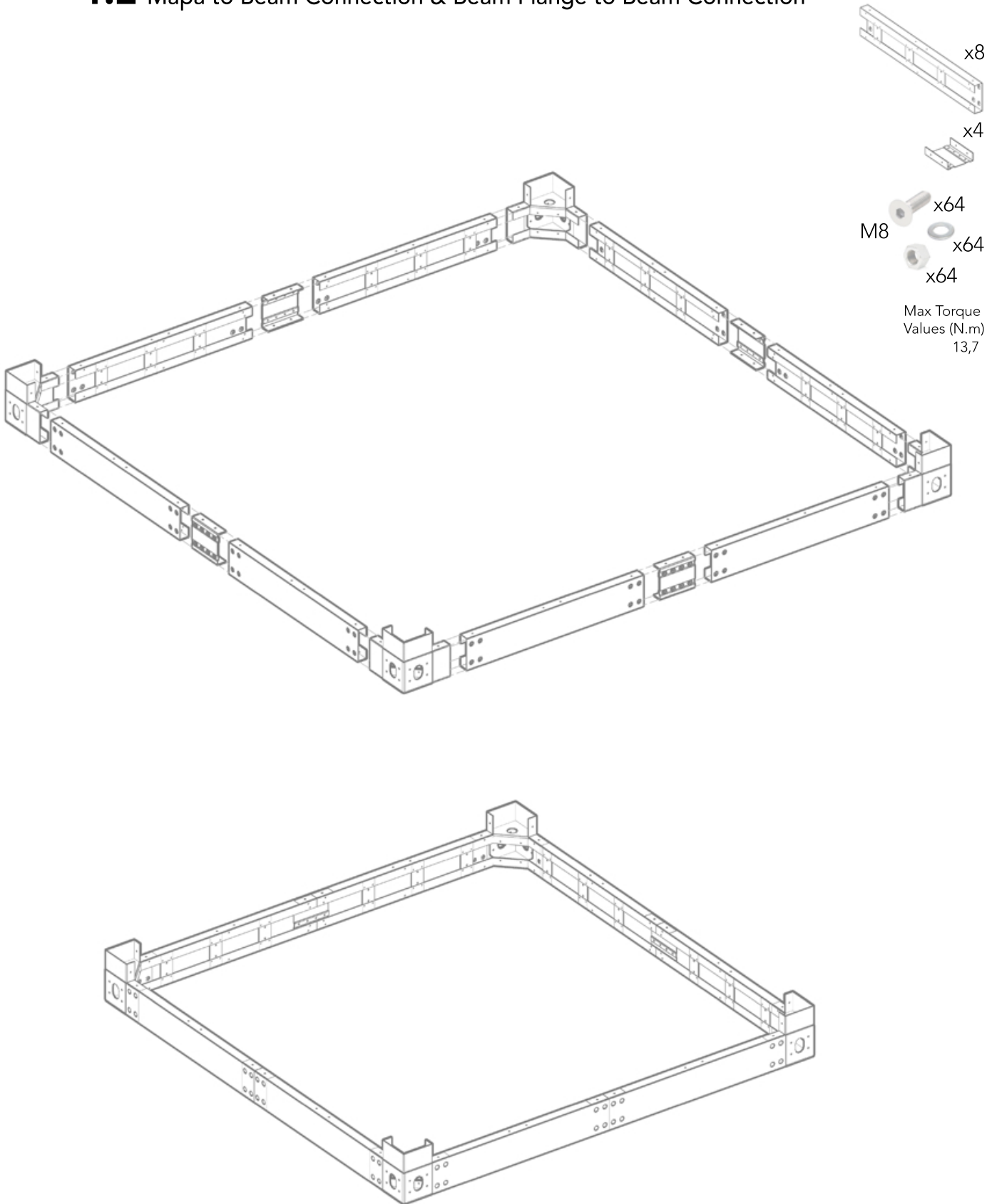
1 Floor Assembly




1.1 Mapa Alignment



1.2 Mapa to Beam Connection & Beam Flange to Beam Connection



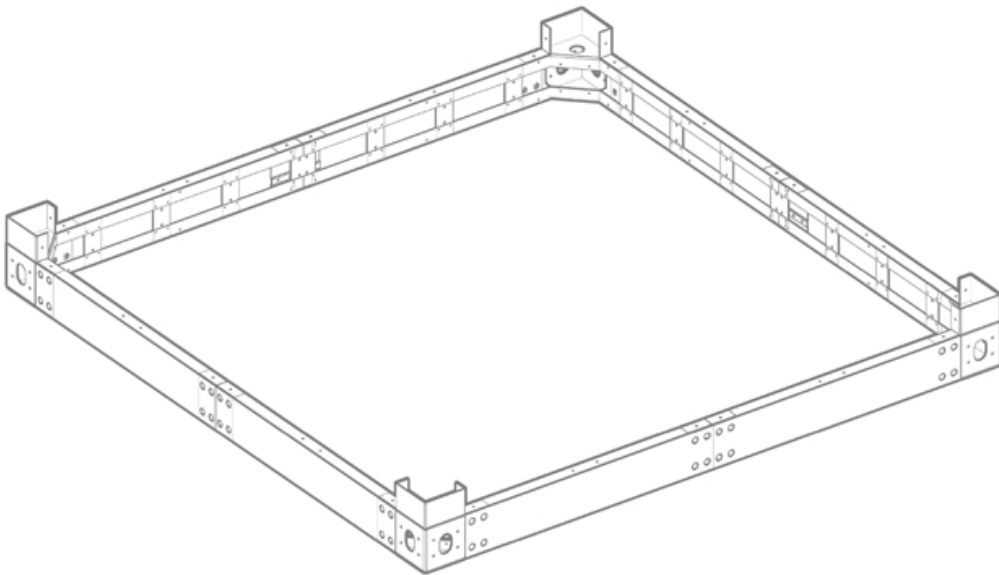
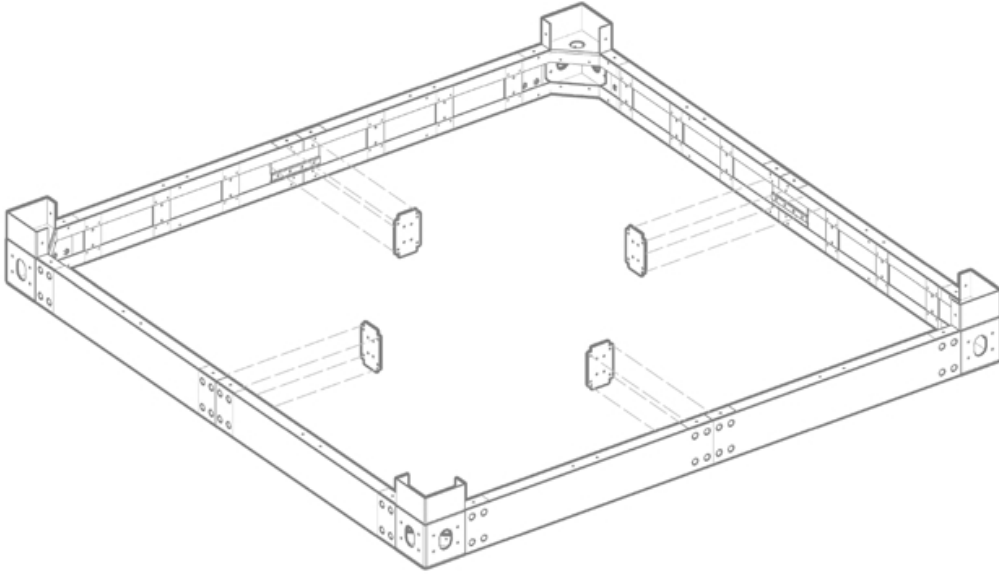
1.3 Beam Plate to Beam Connection

x4 

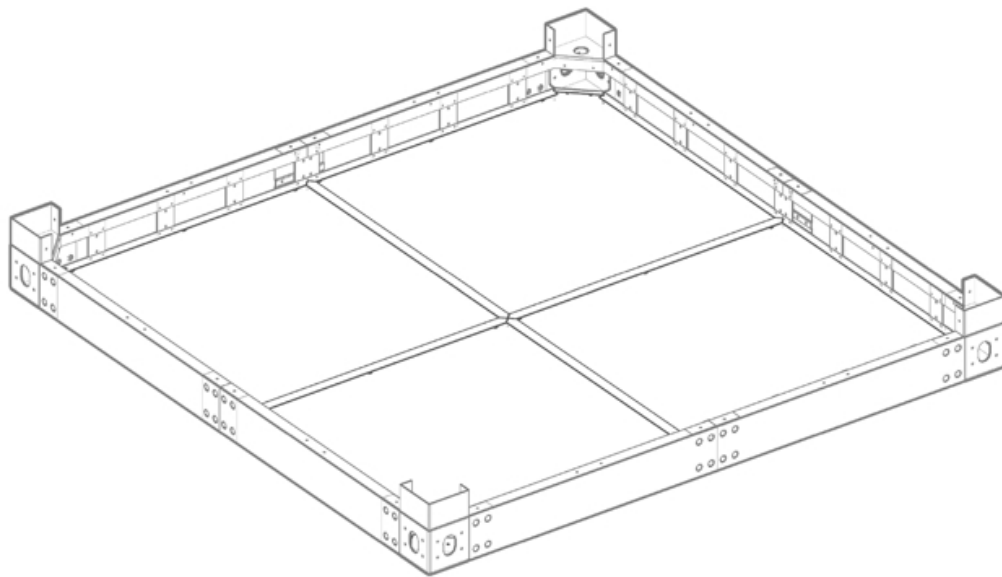
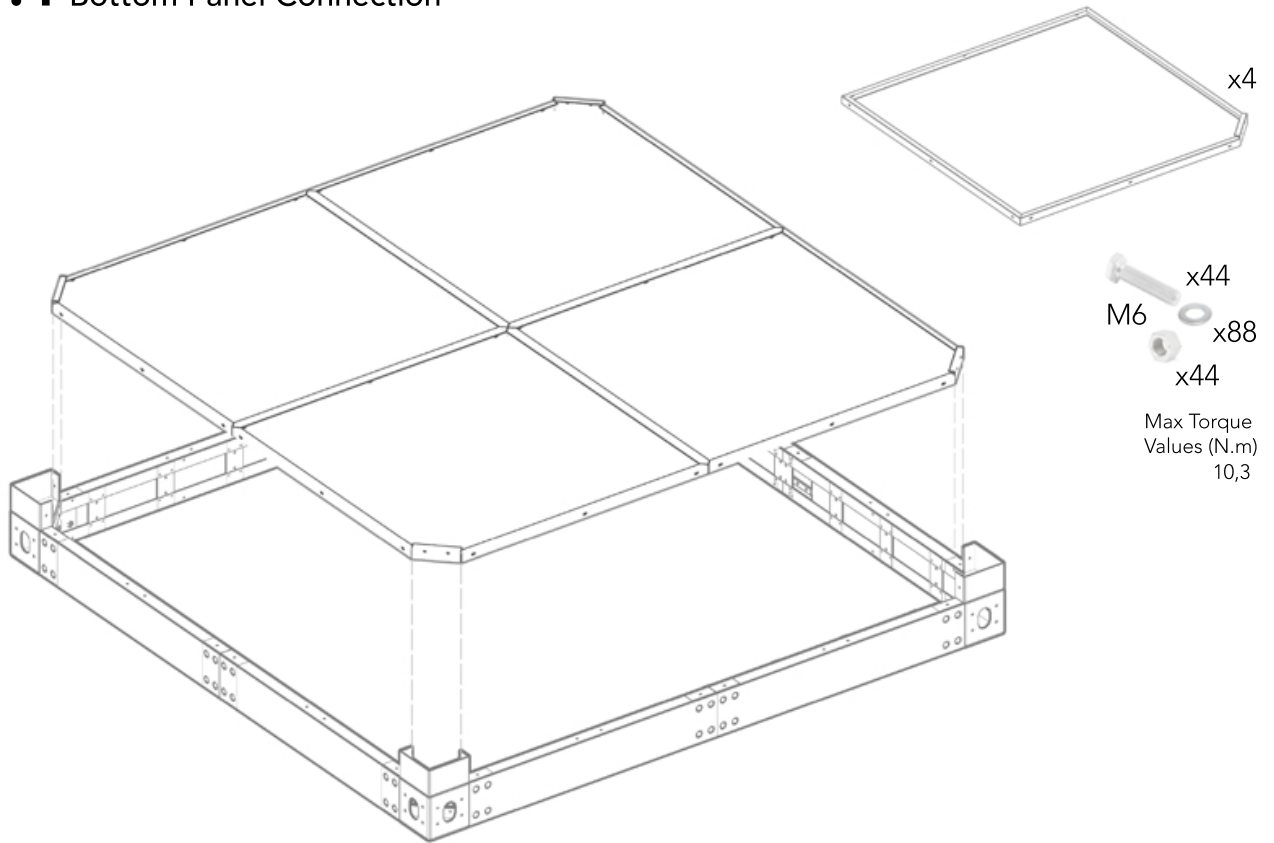
x16 

M6  x16

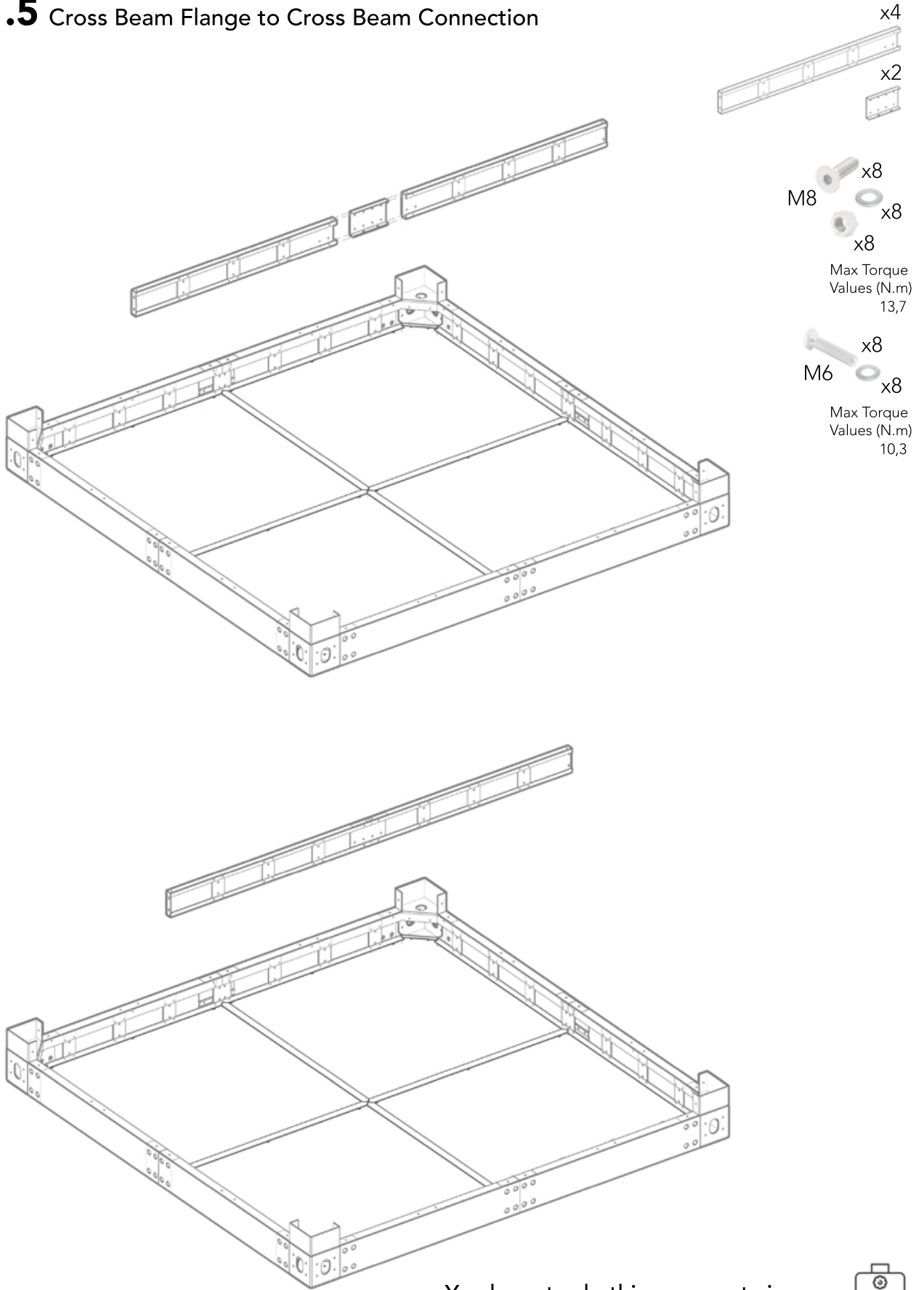
Max Torque
Values (N.m)
10,3



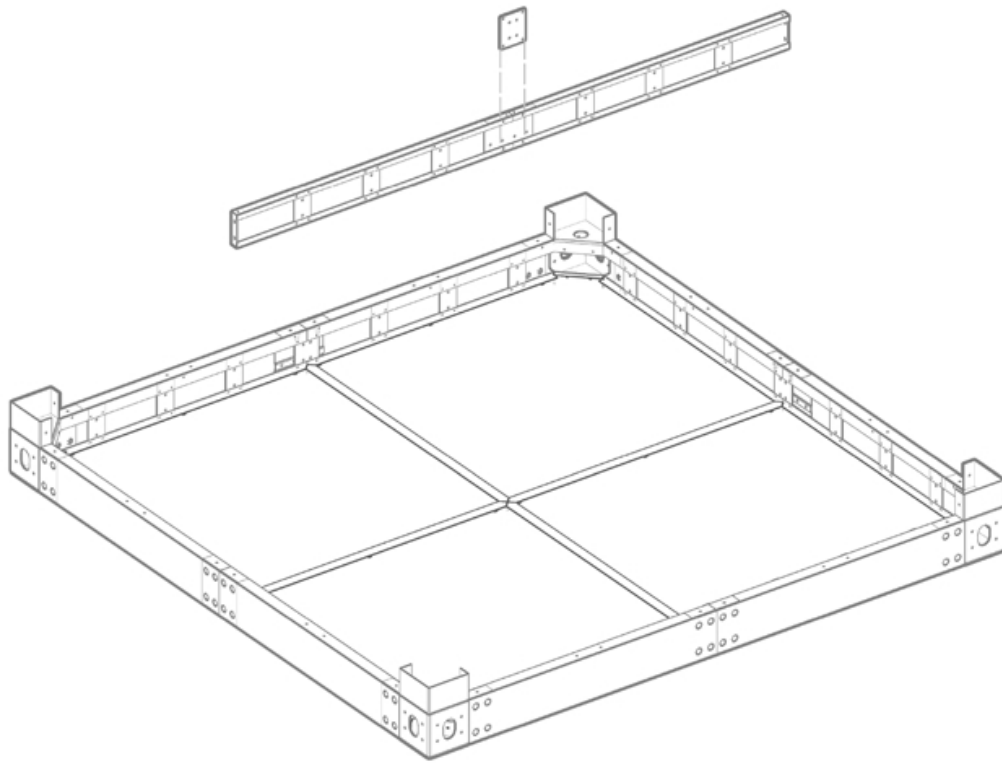
1.4 Bottom Panel Connection



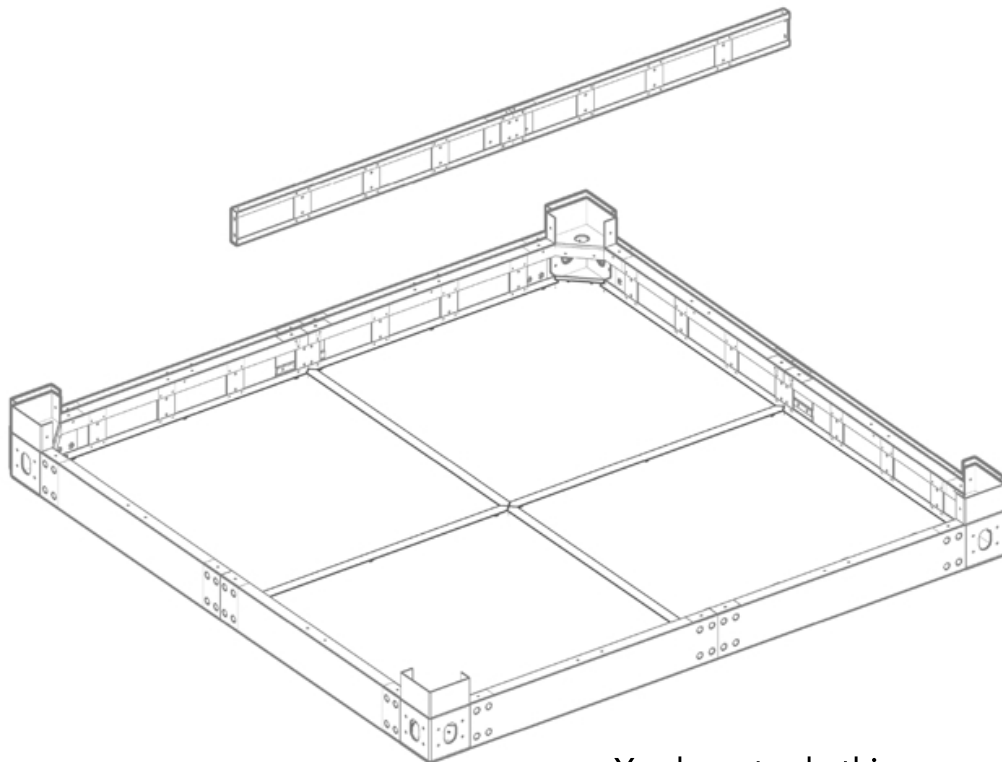
1.5 Cross Beam Flange to Cross Beam Connection



1.6 Cross Beam Plate to Cross Beam Connection



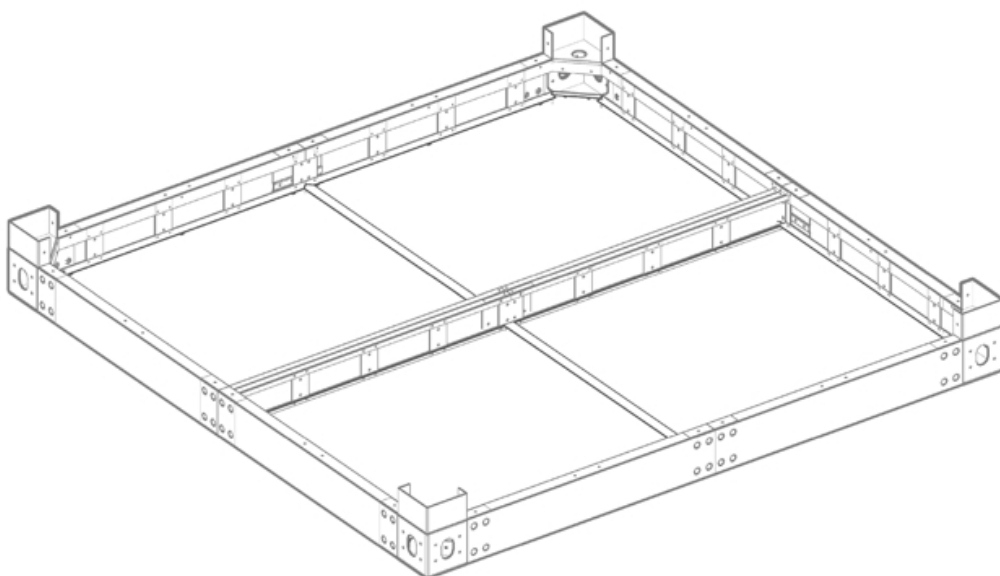
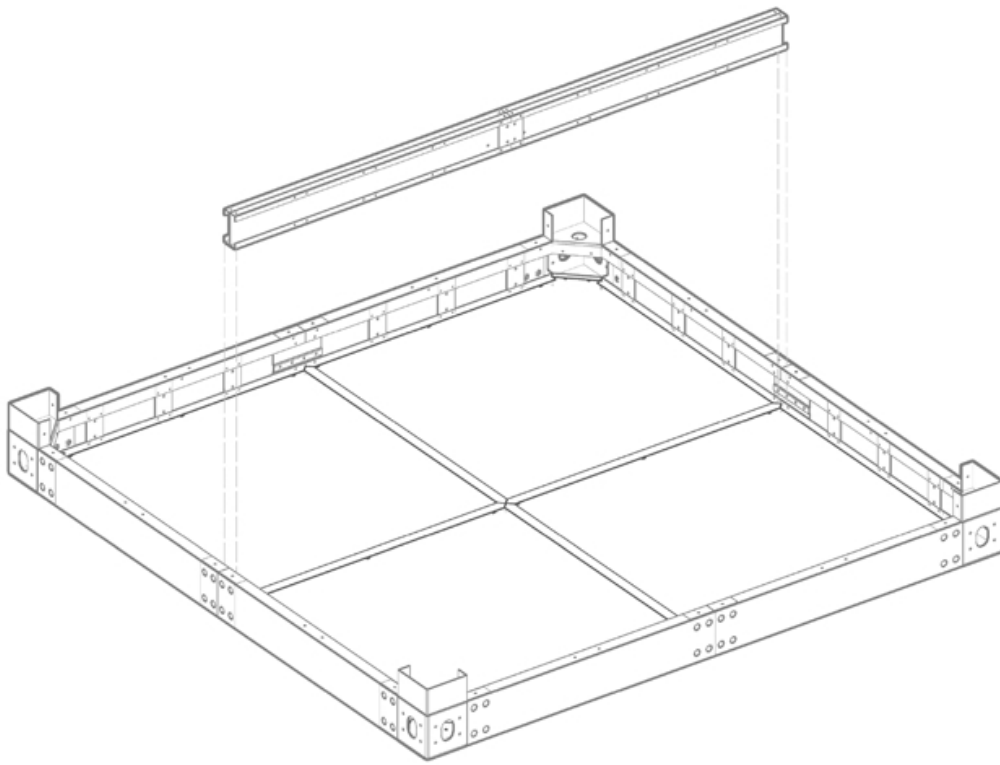
x2
x8
M6
x8
Max Torque
Values (N.m)
13,7



- You have to do this process twice -



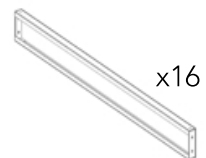
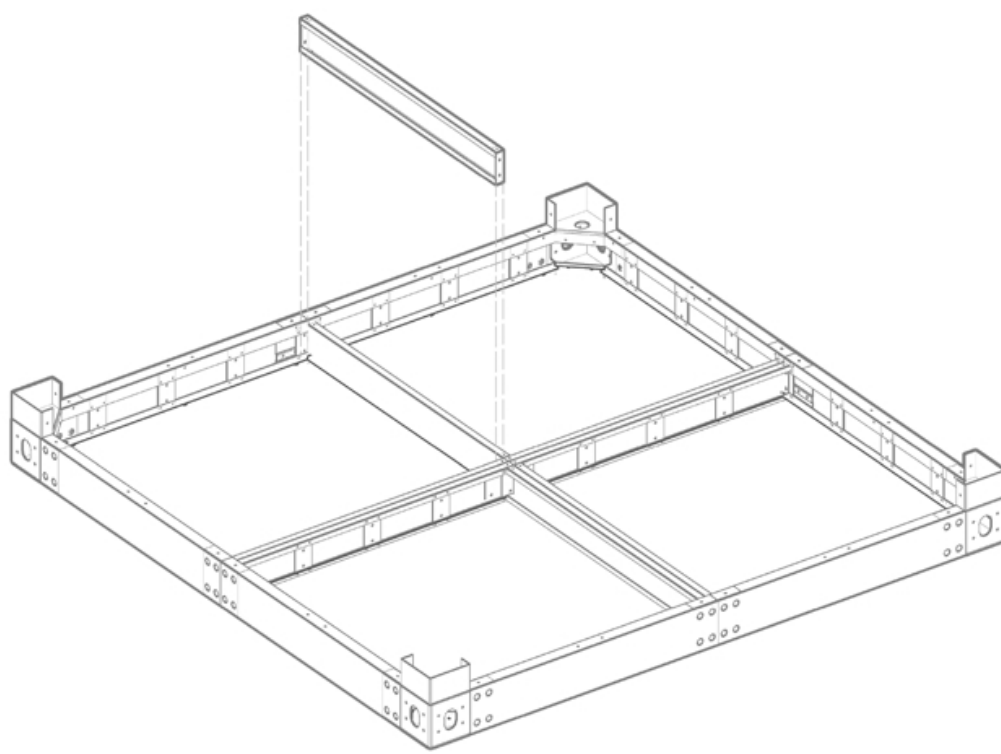
1.7 Cross Beam to Frame Assembly



- You have to assemble it back to back -



1.8 Cross Beam to Frame Assembly



x16

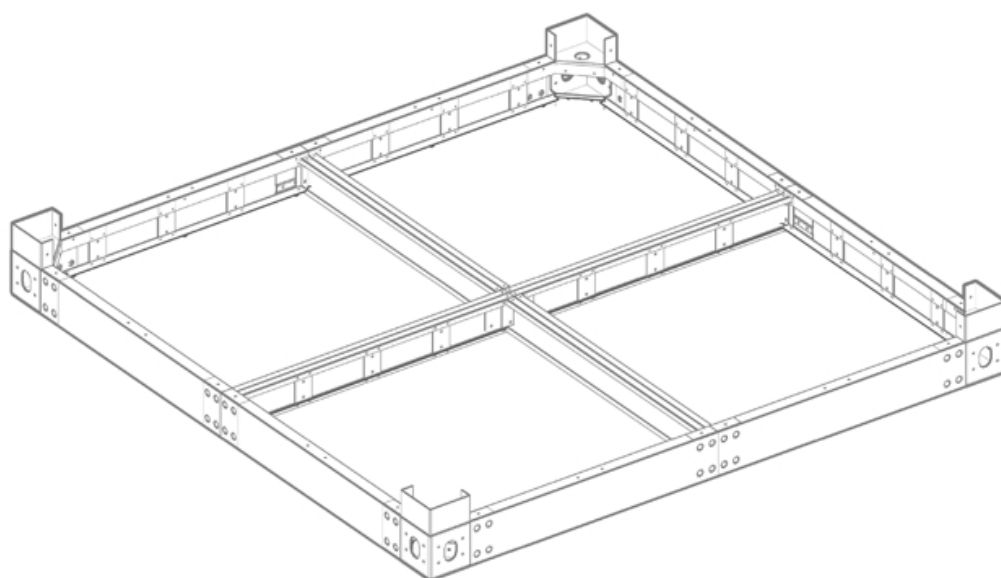


x64

M6

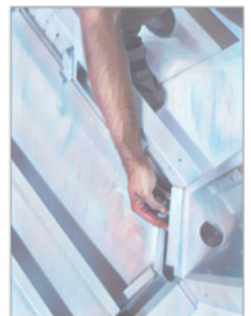
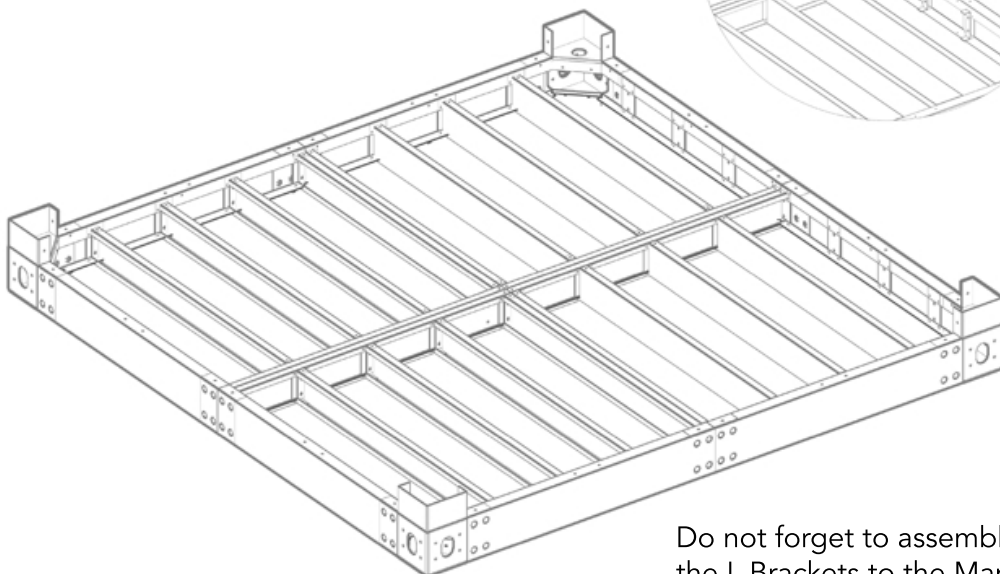
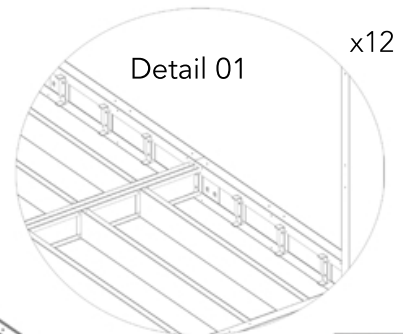
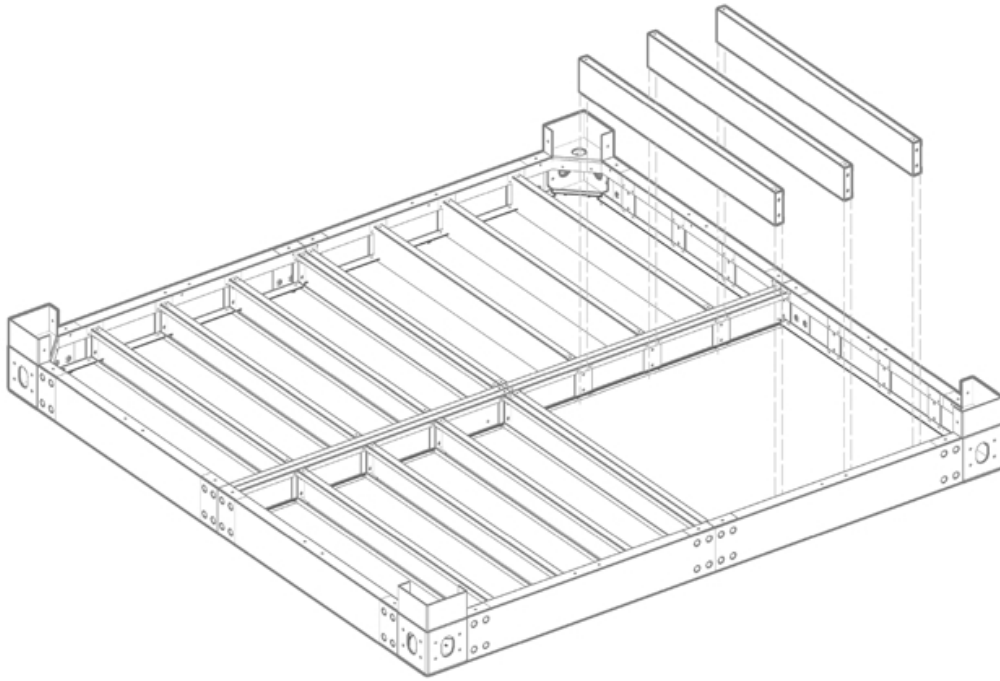
x64

Max Torque
Values (N.m)
10,3



1.8.2 Short Cross Beam to Frame Assembly

x32
M6
x40
x8
Max Torque
Values (N.m)
10,3

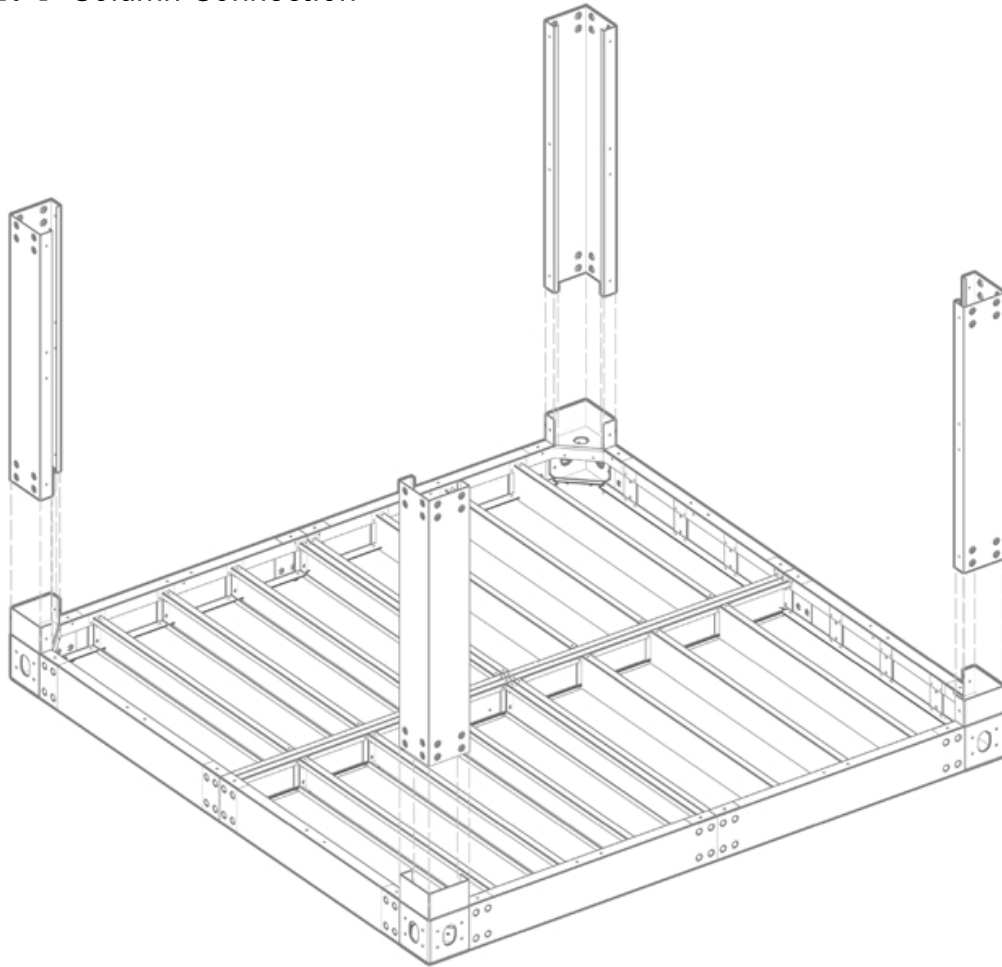


Do not forget to assemble
the L Brackets to the Mapa
and the C Brackets to the Beams!

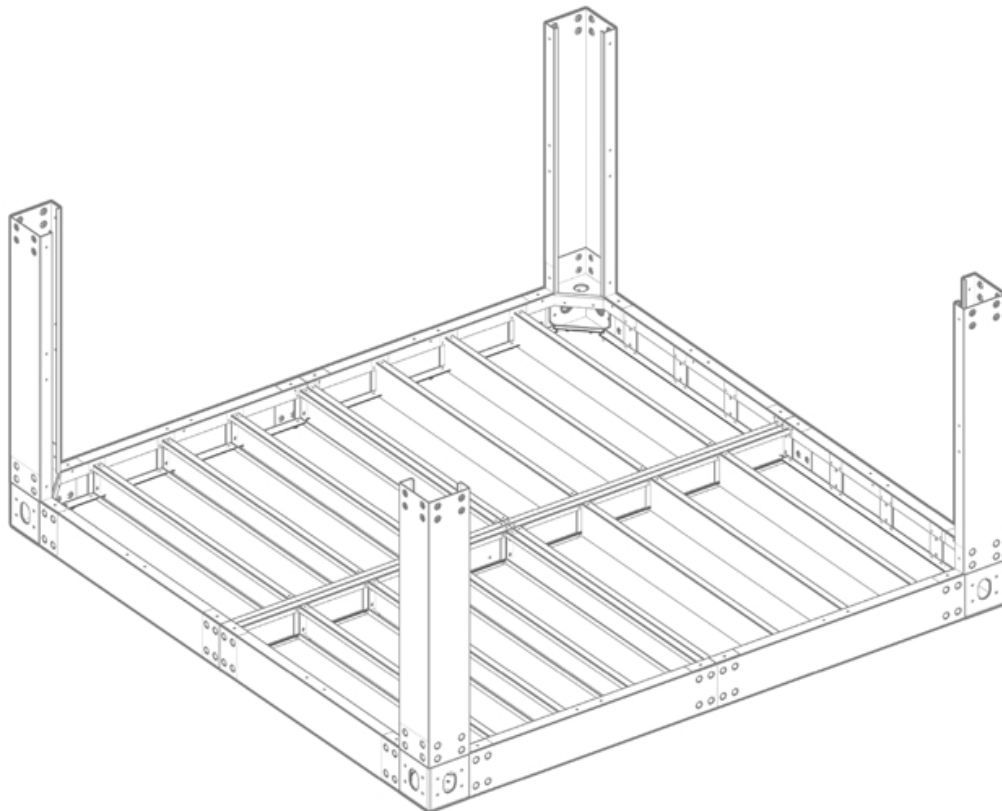


2 Column to Floor Frame Connection

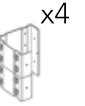
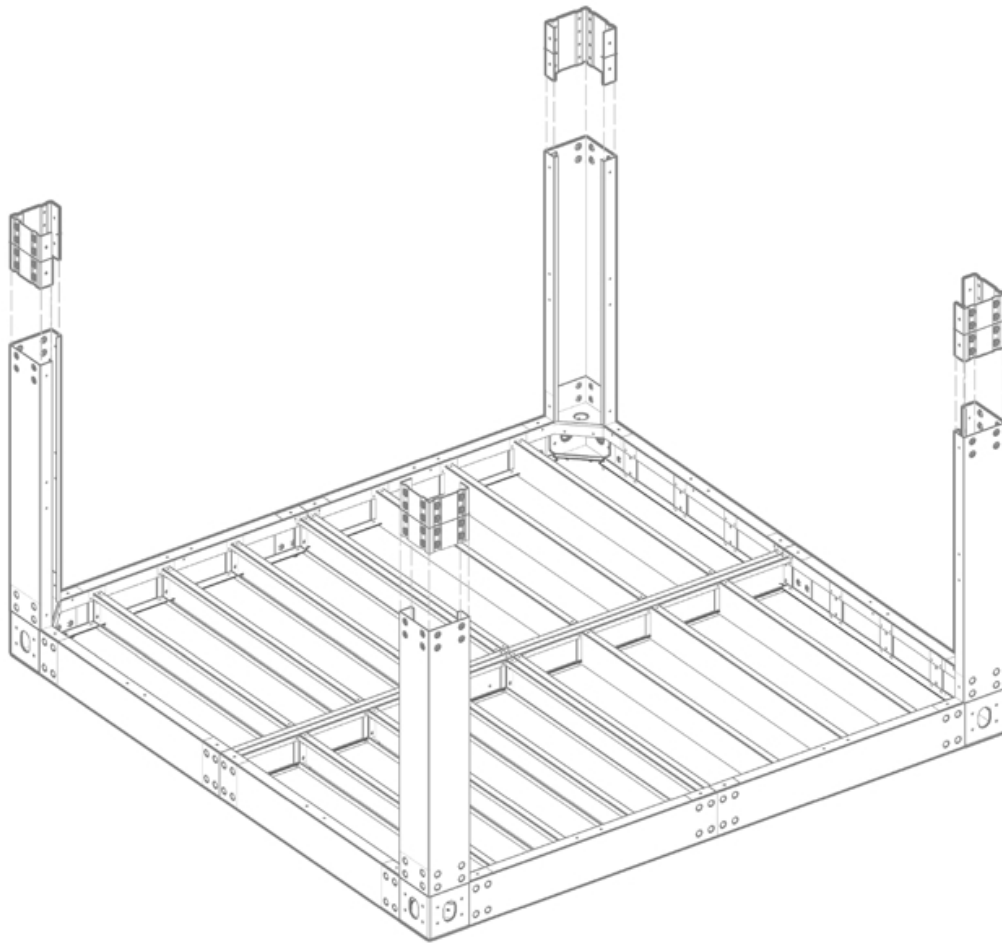
2.1 Column Connection



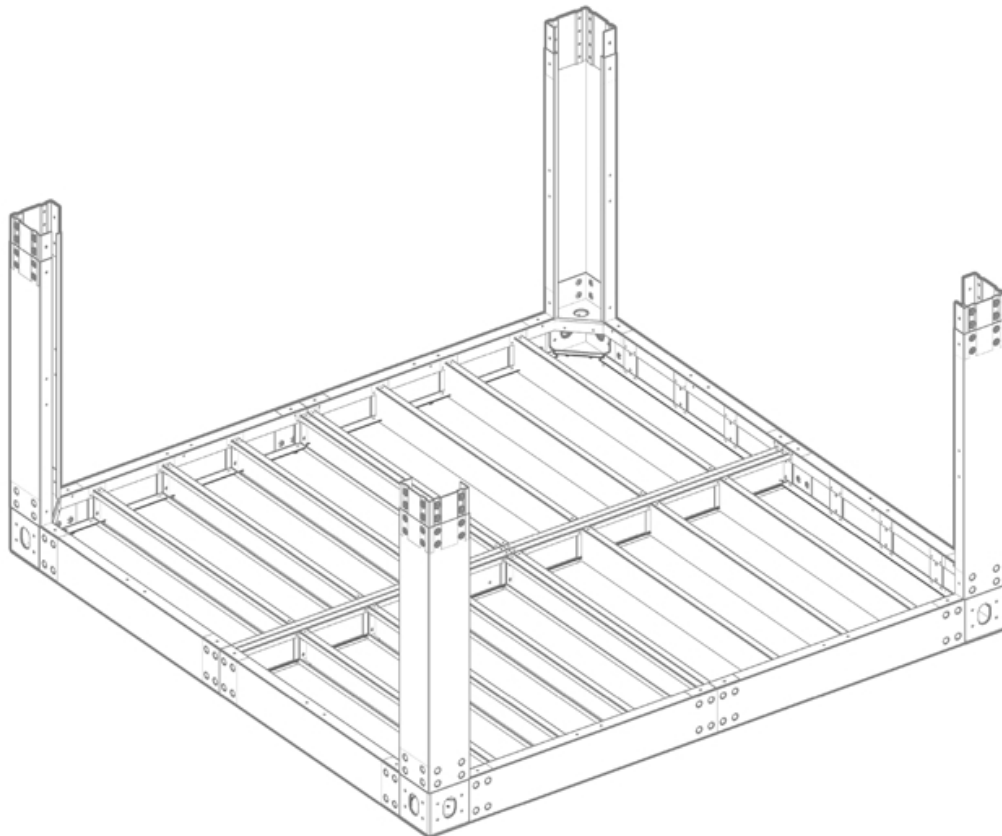
Max Torque Values (N.m)
13,7



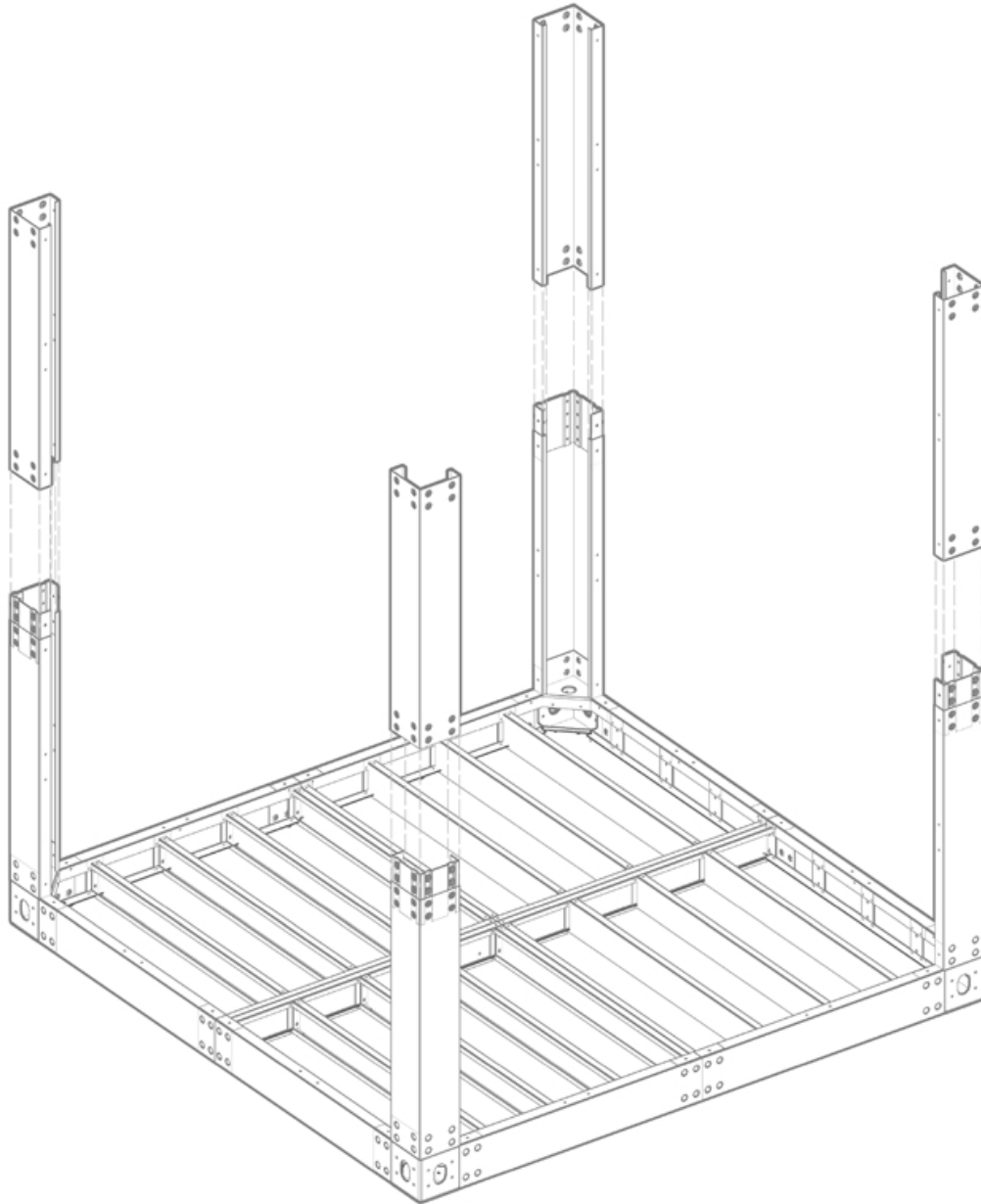
2.2 Column Flange Connection



M8 x32
x32
x32
Max Torque
Values (N.m)
13,7



2.3 Column to Column Flange Connection



x4



M8

x32

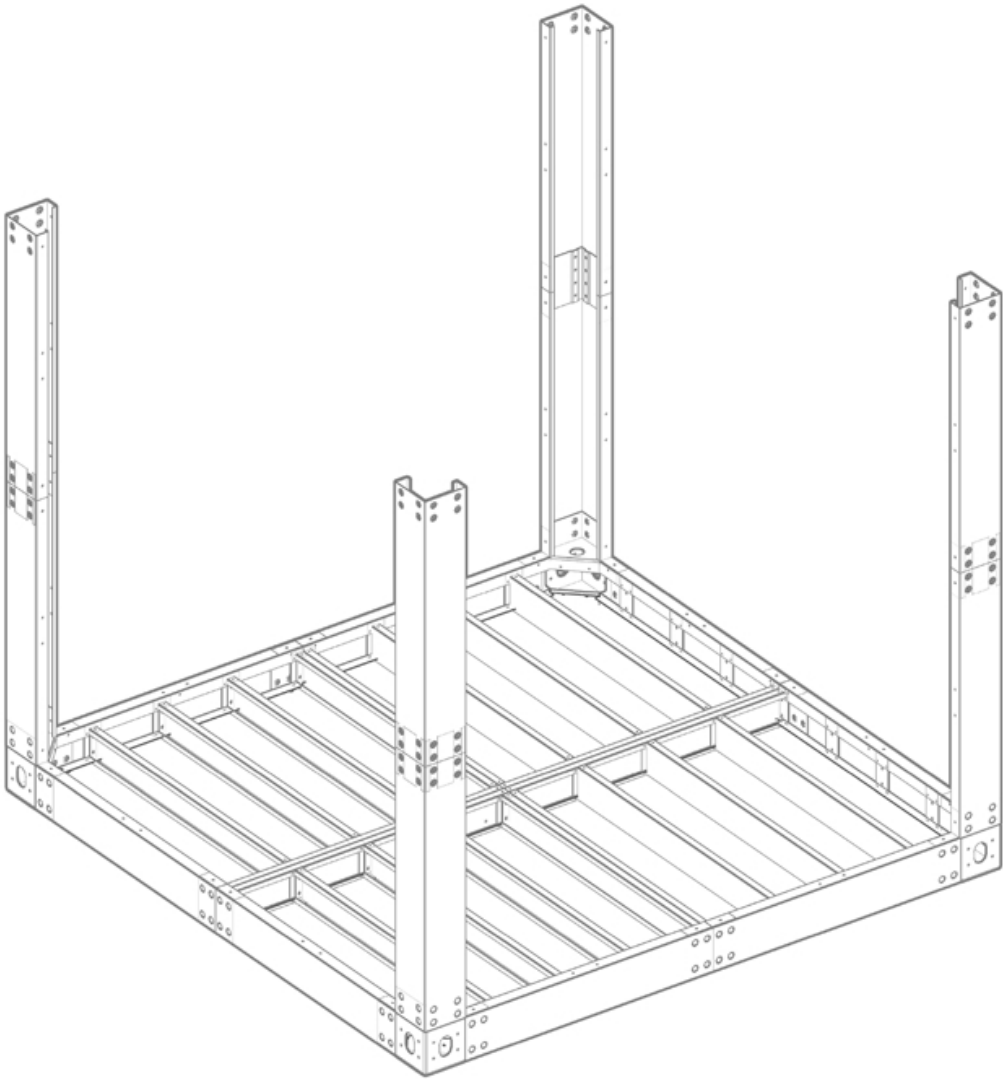
x32

x32

Max Torque
Values (N.m)
13,7






2.3 Column to Column Flange Connection

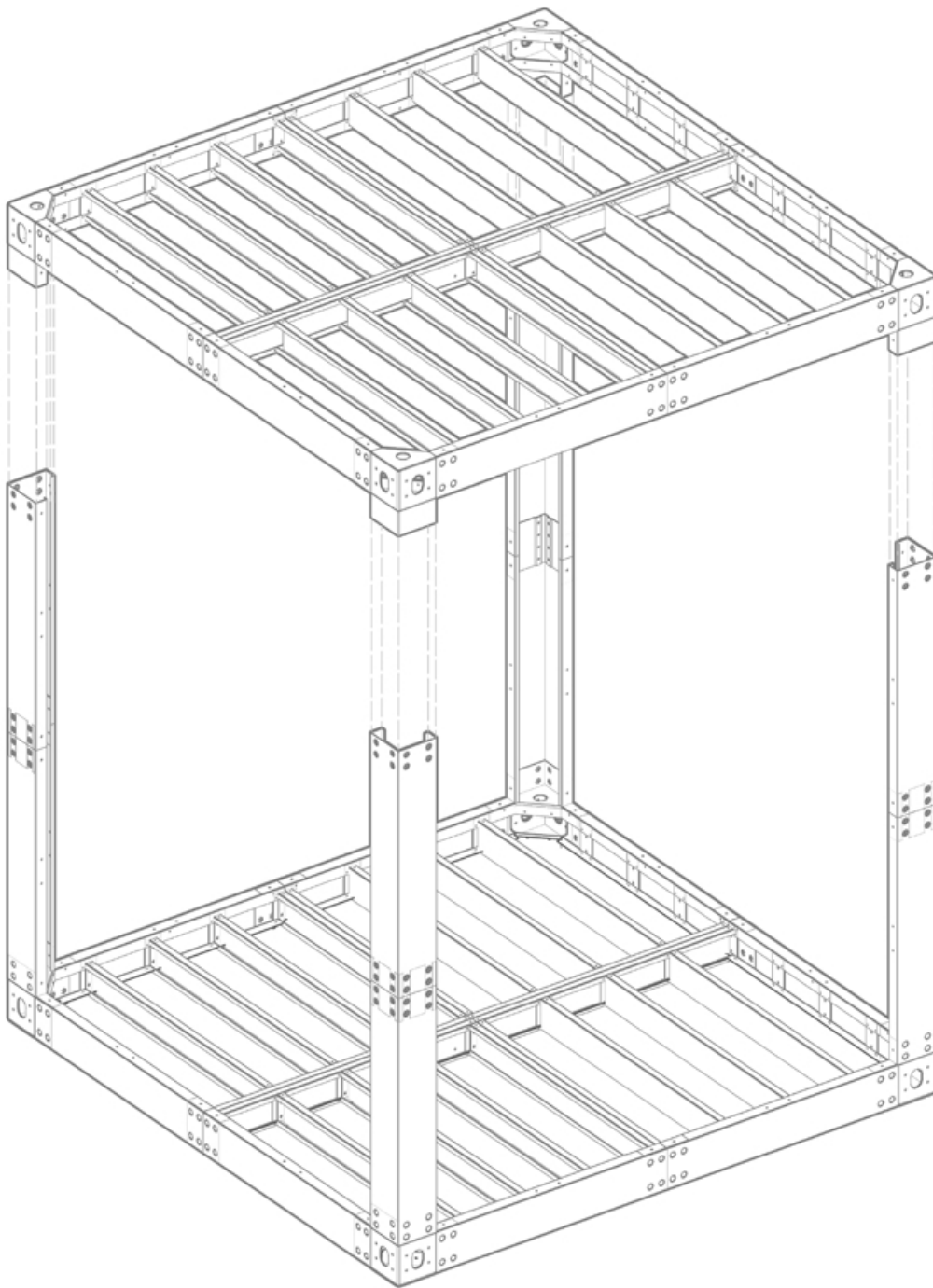


3 Roof Assembly

3.1.A Manual Roof Frame Installation

* The same operations of the floor assembly stages should be applied in the same step order.
But, you must start with the assembly of the mapa to column connection.

M8  x32
 x32
 x32
Max Torque
Values (N.m)
13,7

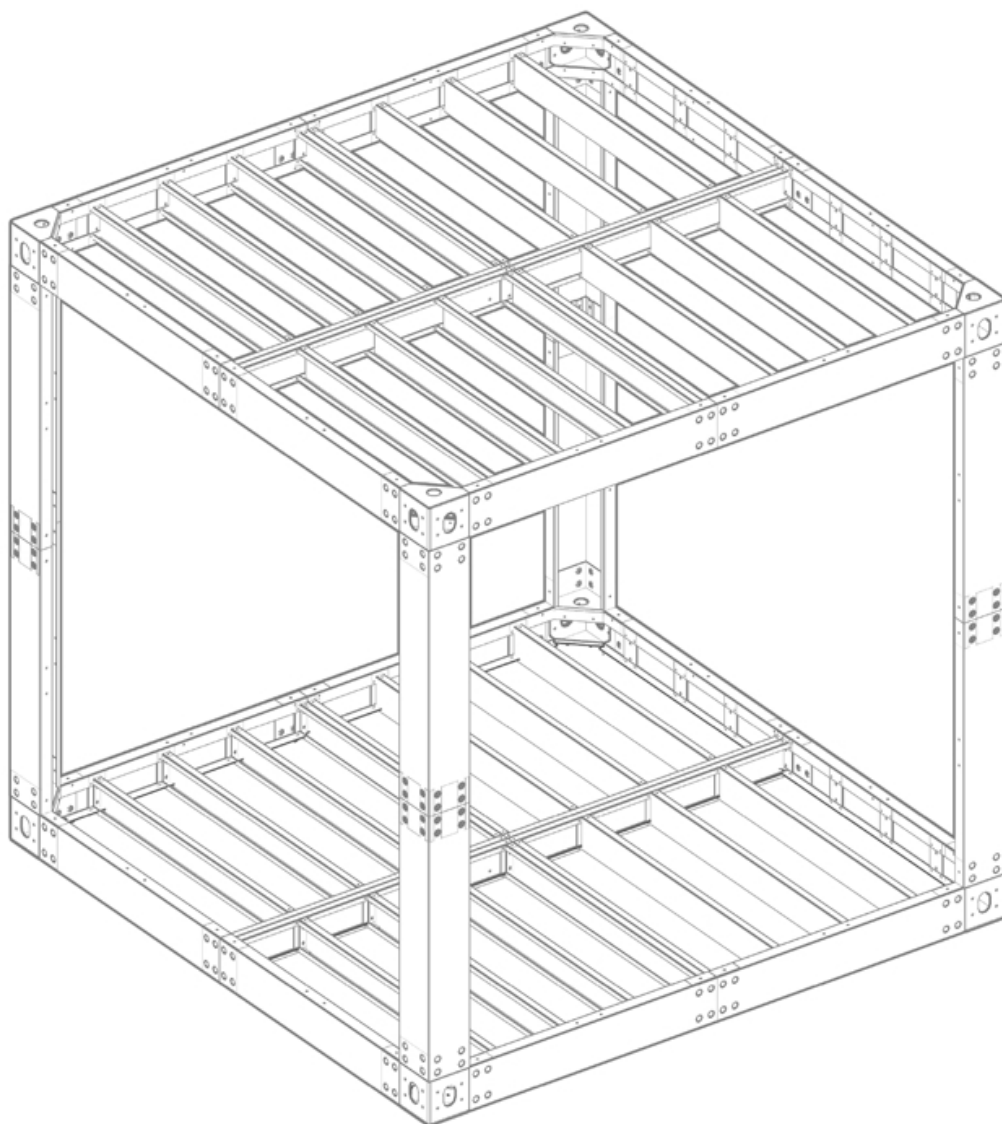


3 Roof Assembly

3.1.B Roof Frame Installation with Crane

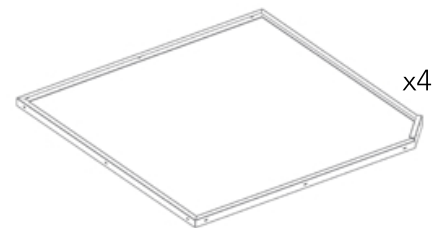
* Or, after completely finishing the floor assembly stages, it can be turned upside down and mounted with the help of a crane.

Up to you!



3 Roof Assembly

3.2 Upper Panel Connection



XBOX installation is completed!

